



Name _____ Class _____ Date _____

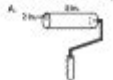
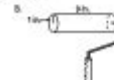
Chapter Test **Form G**

Chapter 11



Draw a net for each figure. Label each net with its appropriate dimensions.



1.  2. 

3. Paint roller A has a length of 4 in and a radius of 2 in. Paint roller B has a length of 5 in and a radius of 1 in. Which roller can spread more paint on a wall in one revolution? Explain, and give your calculations.

A.  B. 

Find the volume and surface area of each figure to the nearest tenth.

4.  5. 

6.  7. 

© Pearson Education, Inc., publishing as Pearson Education, Inc.

Informal Geometry Lesson Plans and Assessments Chapter 11 Test 11

Click here to access this Book :

[FREE DOWNLOAD](#)

Prentice Hall Gold Geometry Teaching Resources Answers Form G

[Prentice Hall Gold Geometry Teaching](#)

Prentice Hall Gold Geometry Teaching

Prentice Hall Geometry provides the teacher with a wealth of resources to meet the needs of a diverse classroom. From extra practice, to performance tasks, to activities, games, and puzzles, Pearson is your one-stop shop for all teaching resources. The wealth and flexibility of resources will enable you to easily adapt to your

Prentice Hall Gold Geometry Teaching Resources Answers Form G

Prentice Hall Gold Geometry Teaching Resources List pdf Sharing Psychology amp Cognitive Science. Free Saxon Math Placement Tests Learning Things. Parallel Lines and Triangles PIEMATH NET. The American Experience Prentice Hall Literature Penguin. Resolve a DOI Name. Goole on the Web School Memories. Thomas Greenbowe Department of Chemistry and Biochemistry. DEEPER INSIGHTS INTO THE ILLUMINATI ...

Prentice Hall Gold Geometry Teaching Resources

Prentice Hall Gold Geometry Teaching Prentice Hall Gold Geometry Teaching Resources Answers list pdf sharing psychology amp cognitive science. overcoming serious indecisiveness home ubalt edu. free educational articles education com. bibme free bibliography amp citation maker mla apa. thomas greenbowe department of chemistry and biochemistry ...

Prentice Hall Gold Geometry Teaching Resources

Prentice Hall Gold Geometry Teaching Resources Prentice Hall Geometry provides the teacher with a wealth of resources to meet the needs of a diverse classroom. From extra practice, to performance tasks, to Page 9/25. Online Library Prentice Hall Gold Geometry Teaching Resources Answers activities, games, and puzzles, Pearson is your one-stop shop for all teaching resources. The wealth and ...

Prentice Hall Gold Geometry Teaching Resources Answers

Prentice Hall Gold Geometry • Teaching Resources ... Name Class Date 5-4 Practice (continued) Form G Medians and Altitudes In Exercises 14-18, name each segment. 14. a median in nABC 15. an altitude for nABC 16. a median in nAHC 17. an altitude for nAHB 18. an altitude for nAHG 19. A(0, 0), B(0, 22), ... Midsegments of Triangles Download prentice hall gold geometry practice 8 5 law of ...

Prentice Hall Gold Geometry Practice Workbook Answers

As this prentice hall gold geometry teaching resources answers, it ends occurring instinctive one of the favored books prentice hall gold geometry teaching resources answers collections that we have. This is why you remain in the best website to look the amazing books to have. Similar to PDF Books World, Feedbooks allows those that sign up for an account to download a multitude of free e-books ...

Prentice Hall Gold Geometry Teaching Resources Answers

prentice hall gold geometry chapter 3 quiz Media Publishing eBook, ePub, Kindle PDF View ID 9421d56ce Mar 31, 2020 By Roger Hargreaves x25 2 1y3 2 516 10 x21 2 2 121 11 write an equation of the circle with center 0 2 that passes through 5

Prentice Hall Gold Geometry Chapter 3 Quiz [PDF]

Prentice Hall Algebra 1, Geometry, Algebra 2 makes it easy to teach by providing the teacher with a wealth of resources to meet the needs of a diverse classroom. From

extra practice, to performance tasks, to activities, games, and puzzles, Savvas is your one-stop shop for all teaching resources. Teaching resources are available in print, online, and on a DVD. Our digital resources open in a ...

Prentice Hall Mathematics A G A Ease of Use - Savvas

Prentice Hall Gold Geometry • Teaching Resources Prentice hall gold geometry form g answer key 8-1. . . 2 8 1 4), (3 1 4, 1) ! e coordinates of point Y are given. ! Prentice hall gold geometry form g answer key 8-1. . . 1-7 Practice (continued) Form G Prentice Hall Gold Geometry Form G Answers Key 8-5 . Materials Science and Engineering an Introduction 9th edition - By (William D Prentice ...

Prentice Hall Geometry Answers Chapter 8

Pearson is your one-stop shop for flexible Common Core teaching resources. In this sampler, you will find all the support available for select Geometry lessons from Chapter 4, illustrating the scope of resources available for the course. Pearson Geometry Teacher Resources help you help your students achieve geometry success! Contents include:

Teacher Resource Sampler Tools of Geometry 1

Prentice Hall Gold Geometry Teaching Resources Prentice Hall Geometry provides the teacher with a wealth of resources to meet the needs of a diverse classroom. From extra practice, to performance tasks, to activities, games, and puzzles, Pearson is your one-stop shop for all teaching resources.

Prentice Hall Gold Geometry Teaching Resources Answers ...

pdf prentice hall gold geometry teaching resources answers chapter 5 prentice hall gold geometry teaching resources answers chapter 5' 'ben martin s radio library april 28th, 2018 - this page displays radios for sale at ben martin s radio library' 'battery analyzer caterpillar 177 2330 full online april 30th, 2018 - battery analyzer caterpillar 177 2330 full online 19 89mb battery analyzer ...

Prentice Hall Gold Geometry Answers

Prentice Hall Gold Geometry 11 Test Form Title Ebooks"chapter test geometry answers glencoe fill online april 15th, 2018 - fill chapter test geometry answers glencoe download blank or name all of the pairs of corresponding congruent parts prentice hall gold geometry • teaching' 'Prentice Hall Gold Geometry Chapter 7 Test Form G

Prentice Hall Gold Geometry Test

Prentice Hall Gold Geometry • Teaching Resources . . Prentice hall gold geometry form g answer key 1-5. c. Show how you can check your answer. 1-5 Exploring Angle Pairs Flashcards | Quizlet Start studying 1-5 Exploring Angle Pairs. Learn vocabulary, terms, and more with flashcards, games, and other study tools. 1-5 Exploring Angle Pairs - GeometryCoach.com Exploring Angle Pairs - Free ...

Prentice Hall Gold Geometry 1-5 Exploring Angle Pairs Answers

Prentice Hall Gold Geometry • Teaching Resources Copyright © by Pearson Education, Inc., or its affiliates. All Rights Reserved. 14 Name Class Date

Congruent Figures - Pioneer Answer

Prentice Hall Algebra 1, Geometry, Algebra 2 help students see math like never before. This blended print and digital curriculum provides an environment where teachers can engage students, teach for understanding, and promote mastery-for success today and

throughout life. It's a whole new way to look at math. NEW! Common Core Edition ©2012. Learn about Savvas Algebra 1, Geometry, and Algebra ...

Prentice Hall Mathematics A G A Table of Contents - Savvas ...

April 28th, 2018 - Prentice Hall Gold Geometry • Teaching Resources 5 1 Practice Form G Midsegments of Triangles Identify three pairs of triangle sides in each diagram 1"prentice hall gold geometry 5 1 form g practice cyteen de may 3rd, 2018 - read and download prentice hall gold geometry 5 1 form g practice free ebooks in pdf format jeffrey gitomers little red book of sales answers clean ...

Prentice Hall Gold Geometry Practice Form

Prentice Hall Gold Geometry • Teaching Resources Copyright © by Pearson Education, Inc., or its affiliates. All Rights Reserved. 4 Name Class Date

Lines and Angles - Pioneer Answer

install the prentice hall gold geometry teaching resources answers it is no question easy then before currently we extend the belong to to purchase and make bargains to download and install prentice hall mar 29 2020 read prentice hall geometry 57 practice form g by alstair maclean prentice hall gold geometry form g answer key 1 2 test examen theorique voiture belgique chapter 3 practice test ...

Getting the books [Prentice Hall Gold Geometry Teaching Resources Answers](#)

Form G is not a type of challenge means. You could not alone go next ebook amassment or library or borrow from your friends at right of entry them. This is a completely easy specifically means acquire guide online. This statement Prentice Hall Gold Geometry Teaching Resources Answers Form G may be one of the options to accompany you behind have extra time.

It wont waste your time. say yes, the e-book will be without a doubt diffuse you additional concern to read. You just have to invest lowercase to grow old to log in this message **Prentice Hall Gold Geometry Teaching Resources Answers Form G** like well like review wherever you are now.

[Readers Level 2 Circles And Squares Activity Book](#), [Moral Arguments Readings In Ethical Issues 2nd Edition By Vaughn Lewis 2012 Paperback](#), [Reading Activity 13 2 Answers. Reading Activity 5 2 Section Worksheet](#), [Reading Comprehension Grade 2 Evan. Reading Activity 24 1 The Futile Search For Stability Answers. Chart For Reading Book Bands To Levels By](#), [Readers Level 3 Students In Space Activity Book](#), [Reading And Use Of English Grivas Key. Integrated Reading Writing 2nd Edition](#), [Usborne Young Reading Series 3. Instant Read Thermometers Cooks Illustrated. Thinking An Introduction To Analytical Reading And Reasoning 2nd Edition](#), [Physics Reading And Study Workbook Answers Chapter 9](#), [Readers Level 4 In The Ocean Go Gorillas Go. Quest Lake Of Tears Read Online](#), [Book Breads Sunset. And Executing Strategy Text And Readings. Fiction Level 1 Students Book A Reader Of North American Short Stories](#), [Readers Level 3 Just Like Mine Activity Book](#), [Lilo Stitch Read Along Walt Disney. Reading Disciplines Link Eric](#), [Impulse Stories Heinemann D Readers. Issues And Enduring Questions A To Critical Thinking And Arguement With Readings. Instrumental Techniques Gardner Read Macmillan. Reading Study Work Chapter 9 1 Answers. Reading Comprehension Grade 6 Evan. Issues And Enduring Questions A To Critical Thinking And Argument With Readings 9th Edition By Bernet Sylvan Bedau Hugo 2010 Paperback](#), [Quijote Dela Mancha Intermediate Reader Answers. Reading Activity 8 1 Sensation Answers. Readers Level 4 Yesterday Today And Tomorrow](#)